

# REACH A wider market



NEW WIDE WIDTH, FLAME RETARDANT FABRICS - IDEAL FOR MAKING LARGER BLINDS OR MORE BLINDS FROM ONE WIDTH.

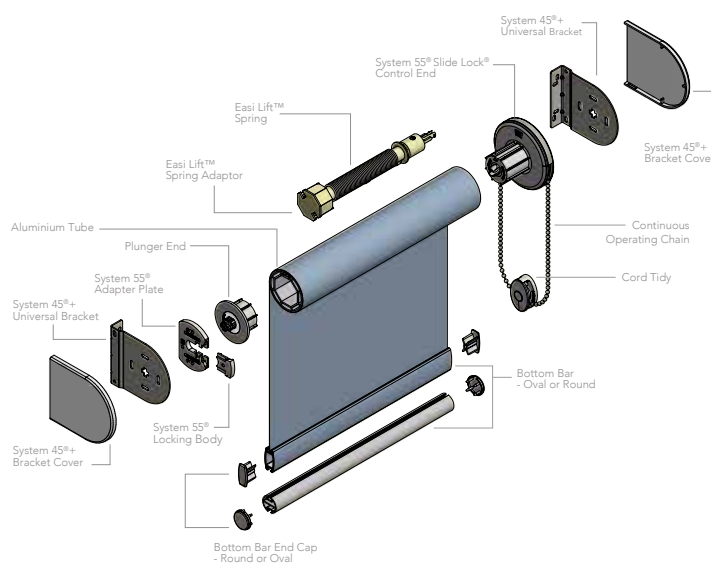
Louvolite's wider width fabrics are ideal for commercial installations that usually feature larger expanses of glass and a cost effective choice for small windows as multiple blinds can be made out of the wider width.

The ranges include light filtering, blackout and screen fabrics, all between 2.8m and 3m wide. All the wider width fabrics are flame retardant and feature more muted tones that make this collection the perfect choice for commercial buildings. See overleaf for fabric details.

## EFFORTLESS OPERATION

The new Roller System 55<sup>®</sup> Easi Lift™ makes light work of raising and lowering larger roller blinds, ideal for use with wider width fabric.

The spring assisted smooth operation working in combination with the extra strong 55mm honeycomb tube creates a heavy duty system that will deliver trouble free operation of larger blinds for many years to come.



Speak to your local area manager or contact Louvolite Customer Services for more information.

t: 0161 882 5000 | f: 0161 882 5059 | e: sales@louvolite.com | w: www.louvolite.com



CAPTURE every sale  
**opportunity**  
 WITH OUR  
 wider width FABRICS

### wider width fabrics technical chart

	FABRIC	WIDTH	WEIGHT	COMPOSITION	FLAME RETARDANT
SCREEN	Aspect 1%	3.00m	500g/m <sup>2</sup>	78% PVC 22% Polyester	
	Dimension 5%	3.00m	235g/m <sup>2</sup>	78% PVC 22% Polyester	
	Oslo 1%	3.00m	260g/m <sup>2</sup>	100% Polyester	
	Perspective 3%	3.00m	460g/m <sup>2</sup>	78% PVC 22% Polyester	
	Reflection 3%	3.00m	430g/m <sup>2</sup>	78% PVC 22% Polyester	
DIM OUT	Daybreak	3.00m	220g/m <sup>2</sup>	100% Polyester	
BLACKOUT	Maine	2.80m	450g/m <sup>2</sup>	100% Polyester	
	Sundown	3.00m	400g/m <sup>2</sup>	100% Polyester	
	Sunset	3.00m	340g/m <sup>2</sup>	100% Polyester	



Speak to your local area manager or contact Louvolite Customer Services for more information.

t: 0161 882 5000 | f: 0161 882 5059 | e: sales@louvolite.com | w: www.louvolite.com