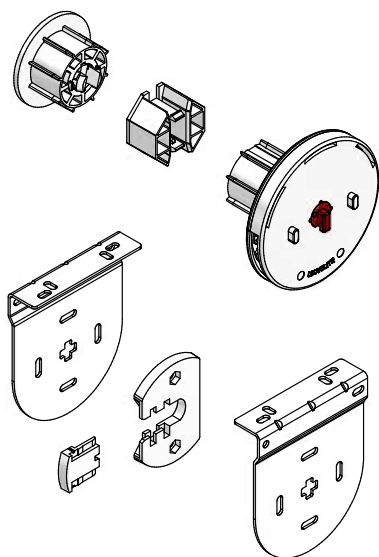
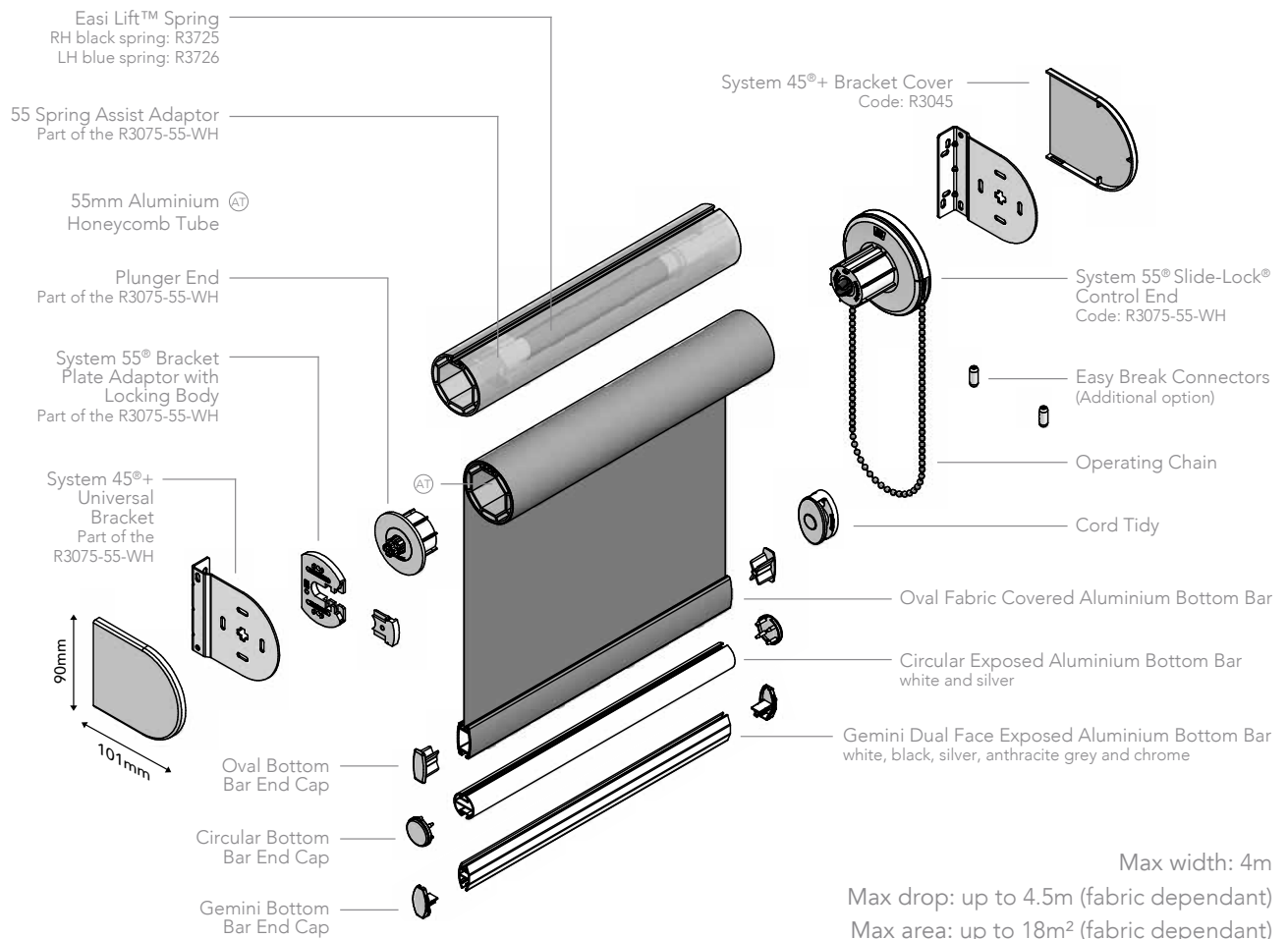


SYSTEM 55® ROLLER SYSTEM WITH EASI LIFT™ SPRING ASSIST OPERATION



- Designed and manufactured in the UK, all Louvolite systems are 10 year life cycle tested to ensure long lasting performance.
- System 55® Slide-Lock® combines heavier holding weights with anti-fray features that ensure enhanced performance of larger blinds.
- For blinds up to 4m wide, with a 24lb maximum holding weight.
- The smooth operation is achieved using spring assist technology.
- Manufactured using high quality engineering grade polymer.
- Improved chain location for quick and easy on-site adjustment.
- Universal brackets and a spring idle end plunger enable easy and quick installation.
- A patented idle end adapter plate with locking body ensures that the blind remains safely locked into the brackets at all times.
- Curved or square 4" fascia options available for stylish interior integration.
- Operate larger blinds effortlessly with System 55® Easi Lift™.
- Can alternatively be motorised using Louvolite One Touch® Hard Wired AC Motor 6000 Series.
- Available in white and black.

HARDWARE SPECIFICATION

System 55® Roller System

Our roller blinds are manufactured using the Louvolite System 55® roller blind mechanism with specifically designed grooved 55mm honeycomb aluminium tubing. The specified fabrics are formed and held into the tube with locking tape.

The side control units, manufactured in the UK, are made from prime grade PA6 (Nylon, Akulon K222D), with an acetal sprocket and sprocket guard, and includes a locking spring.

The operating chain, No. 10 size in metal or plastic, ensures reliable performance, and improved chain location enables quick and easy on-site adjustment.

The brackets are made from mild steel, zinc plated and powder coated, suitable for

top, face or side fixing.

A sprung plunger end mechanism is positioned at the opposite end to the control unit, providing a more secure fit of the blind and smooth operation. There is an idle end locking plate to ensure the blind stays securely in place after installation.

Performance

To ensure a positive performance, all Louvolite roller system units are designed and manufactured in the UK using prime quality plastic materials and a dedicated steel locking spring. The sidewinders will lock into the bracket with the unique bracket securing pin for safety after installation.

10 year life cycle testing is done to ensure long lasting performance. The units will accept both metal or plastic

operating chain providing reliable smooth operation.

Operation

Using manual or motorised operation all blinds must be compliant with the child safety elements of BS EN13120. Where children may be present, the chain must be fitted with easybreak connectors or cord tidy devices.

Bottom Bar

Oval, made of aluminium or pvc, can be single or double wrapped in fabric or left exposed, while circular and the dual face Gemini, made of aluminium, only have the fabric formed and locked into the top part to leave the bar exposed. All fabric is formed and held into place with locking tape. The dual face Gemini bar, smooth on one side and angular on the

other, improves the ease of manufacture and use of thicker laminate fabrics.

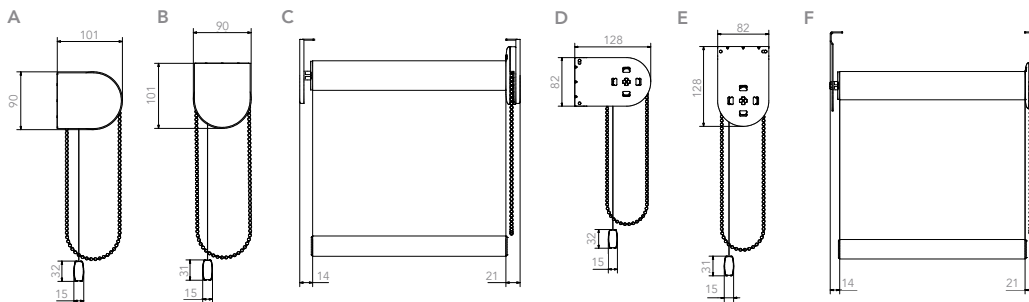
Maintenance

All of the System 55® roller blind system components are manufactured using aluminium, treated steel and plastic. They do not present any corrosion problems in normal environments. The system has been designed for a smooth operation, together with a rigidity to prolong the window blind's working life. Manufacturing size restrictions are included in this specification brochure.

Additional Option - Fascia

The 4" fascia is manufactured from aluminium and the brackets are made from mild steel, zinc plated and powder coated, suitable for top, face or side fixing.

SYSTEM 55® BRACKET DIMENSIONS



Uses System 45®+ brackets and System 45® extension brackets

- A. 45°+ standard metal bracket face fix & cover
- B. 45°+ standard metal bracket top fix & cover
- C. 45°+ standard metal bracket top fix front view
- D. 45° extension bracket face fix
- E. 45° extension bracket top fix
- F. 45° extension bracket top fix front view

LOUVOLITE SIDE CONTROL SYSTEMS MAXIMUM BLIND SIZE

SYSTEM	FABRIC GROUP	BLIND WIDTH (m) FOR BLIND DROP (m)		MAX HOLDING WEIGHT
		4.0	System 55® Easi Lift™ is recommended for use on all blinds over 10lbs (4.5kgs) to give optimum performance	24lb blind at 9mm
System 55®	up to 200g/m sq	4.5		
	200 > 320g/m sq	2.80		
	320 > 485g/m sq	1.85		

Your Louvolite System 55® Distributor:



UK MANUFACTURED

www.louvolitecommercial.com

CI/SIB 1976 reference by SIB Agency		
(76.7)	X	

S250102-55-EL 07.19