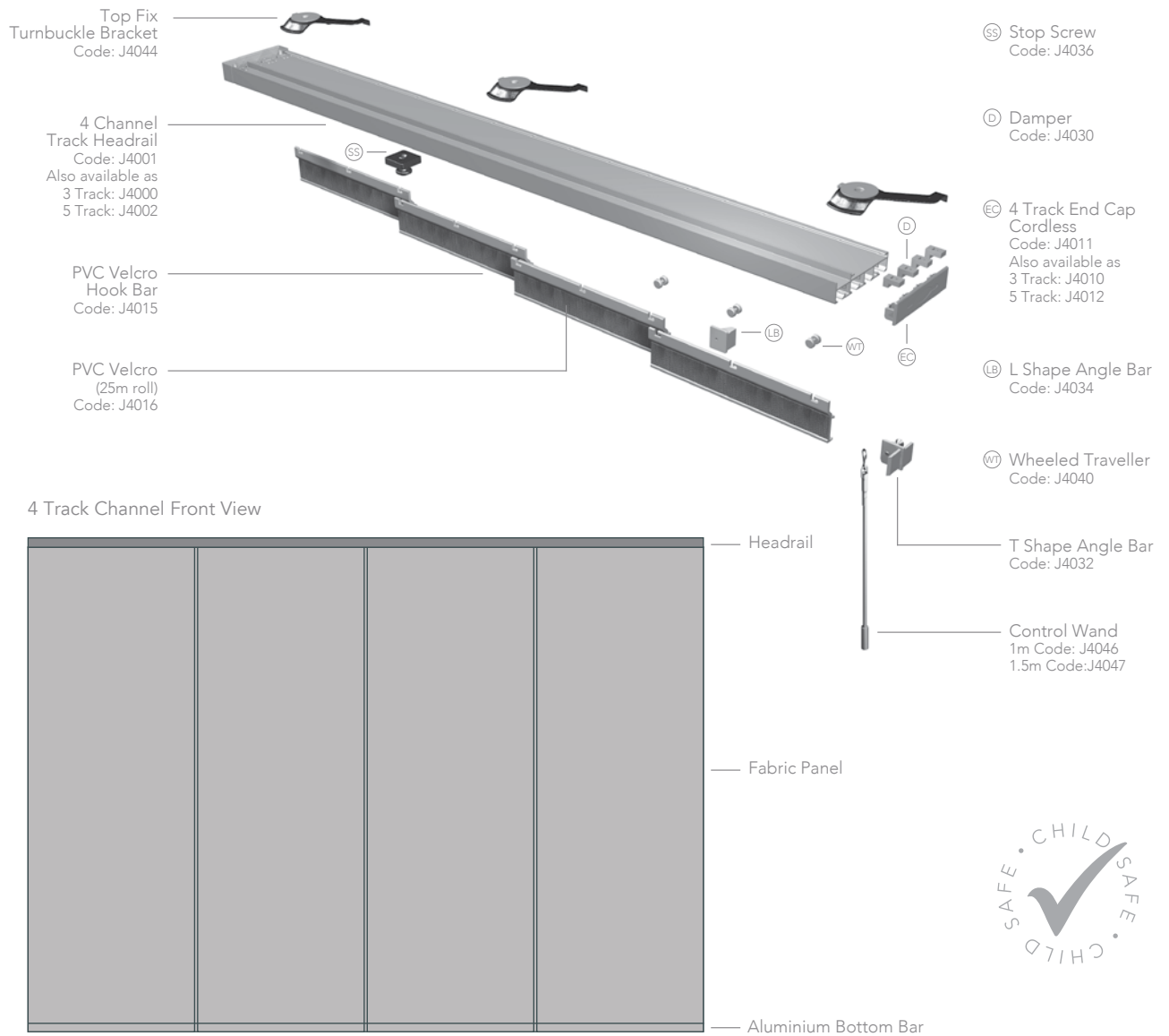


LITE-GLIDE PANEL BLIND SYSTEM WITH 4 CHANNEL TRACK AND WAND OPERATION



- Designed and manufactured in the UK, all Louvolite systems are 10 year life cycle tested to ensure long lasting performance.
- A contemporary way to control light, glare, view and privacy for larger areas of glass such as floor to ceiling glazed areas and patio doors, or as room dividers.
- Manufactured using high quality aluminium and plastic materials.
- Available as 3, 4 and 5 track channels in 5m lengths or add a joining plate (J4013) to lengthen.
- Split draw or one way side draw function to suit preference.
- Operation with either a 1m or 1.5m control wand or cord with cord tidy for child safety.
- When open, the panels stack neatly behind one another.
- Used with an aluminium bottom bar, oval or the new dual face Gemini, to weight the fabric panels down.
- Colours available: Headrail and Control wand: white; Gemini bottom bar and end caps: white, black, light grey, anthracite grey, chrome and bronze; Oval bottom bar: silver; Oval bottom bar end caps: white, black, grey, beige, brown and clear.

HARDWARE SPECIFICATION

Lite-Glide Panel System

Our panel blinds are manufactured using a white coated aluminium 3, 4 or 5 track system with Nylon end caps in either cordless or corded.

The fabric panels are fixed on to the PVC self-adhesive hook bar with adhesive loop attached to the top of the fabric panel. Nylon wheeled travellers assist in smooth operation.

Operated as either side or split draw using the aluminium control wand or with 4mm Nylon cord and cord tidy.

The brackets, made from mild steel and zinc plated, are suitable for top or face fixing.

Performance

To ensure a positive performance, all system components are designed using prime quality plastic materials and powder coated aluminium and the unique turnbuckle bracket securing the track safely after installation.

10 year life cycle testing is done to ensure long lasting performance.

Operation

All blinds must be compliant with the child safety elements of BS EN13120. Where children may be present, the chain must be fitted with cord tidy devices.

Bottom Bar

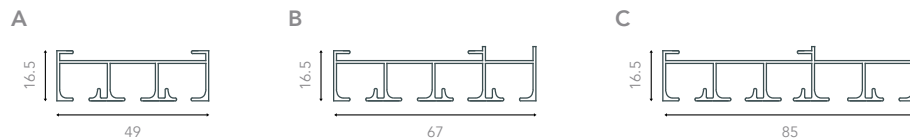
Oval, made of aluminium, can be single or double wrapped in fabric or left exposed, while the dual face Gemini, made of aluminium, only has the fabric formed and locked into the top part to leave the bar exposed. All fabric is formed and held into place with locking tape. The dual

face Gemini bar, smooth on one side and angular on the other, improves the ease of manufacture and use of thicker laminate fabrics.

Maintenance

All of the system components are manufactured using aluminium, plastic or stainless steel. They do not present any corrosion problems in normal environments. The system has been designed for smooth operation, together with a rigidity to prolong the window blind's working life.

HEADRAIL/TRACK DIMENSIONS



A. 3 track channel side view
B. 4 track channel side view
C. 5 track channel side view

LOUVOLITE RECOMMENDED PANEL SIZE GUIDELINE

One Way 'Side' Draw

BLIND WIDTH	3 Panel		4 Panel		5 Panel	
	3 Track	4 Track	4 Track	5 Track	5 Track	
2000	700	538	440			
2050	717	550	450			
2100	733	563	460			
2150	750	575	470			
2200	767	588	480			
2250	783	600	490			
2300	800	613	500			
2350	817	625	510			
2400	833	638	520			
2450	850	650	530			
2500	867	663	540			
2550	883	675	550			
2600	900	688	560			
2650	917	700	570			
2700	933	713	580			

Split Draw

BLIND WIDTH	4 Panel		6 Panel		8 Panel	
	3 Track	4 Track	4 Track	5 Track	5 Track	
2000	538	375	294			
2050	550	383	300			
2100	563	392	306			
2150	575	400	313			
2200	588	408	319			
2250	600	417	325			
2300	613	425	331			
2350	625	433	338			
2400	638	442	344			
2450	650	450	350			
2500	663	458	356			
2550	675	467	363			
2600	688	475	369			
2650	700	483	375			
2700	713	492	381			

Smaller and larger sizes available upon request or refer to the Fabrics & Components Pricelist.

For the most up-to-date information view the online pdf at www.louvolitecommercial.com/systems/

Your Louvolite Panel System Distributor:



CI/SIB 1976 reference by SIB Agency		
(76.7)	X	