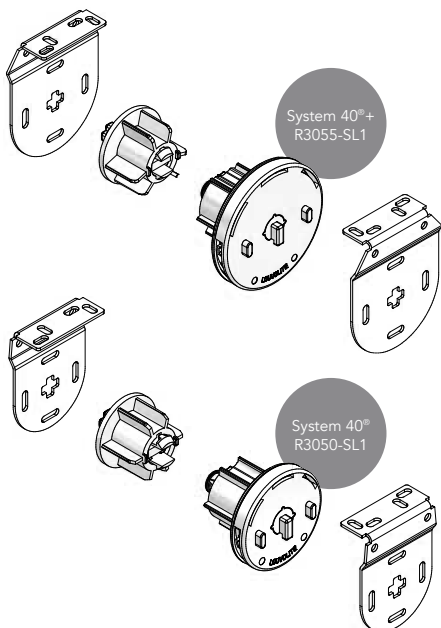
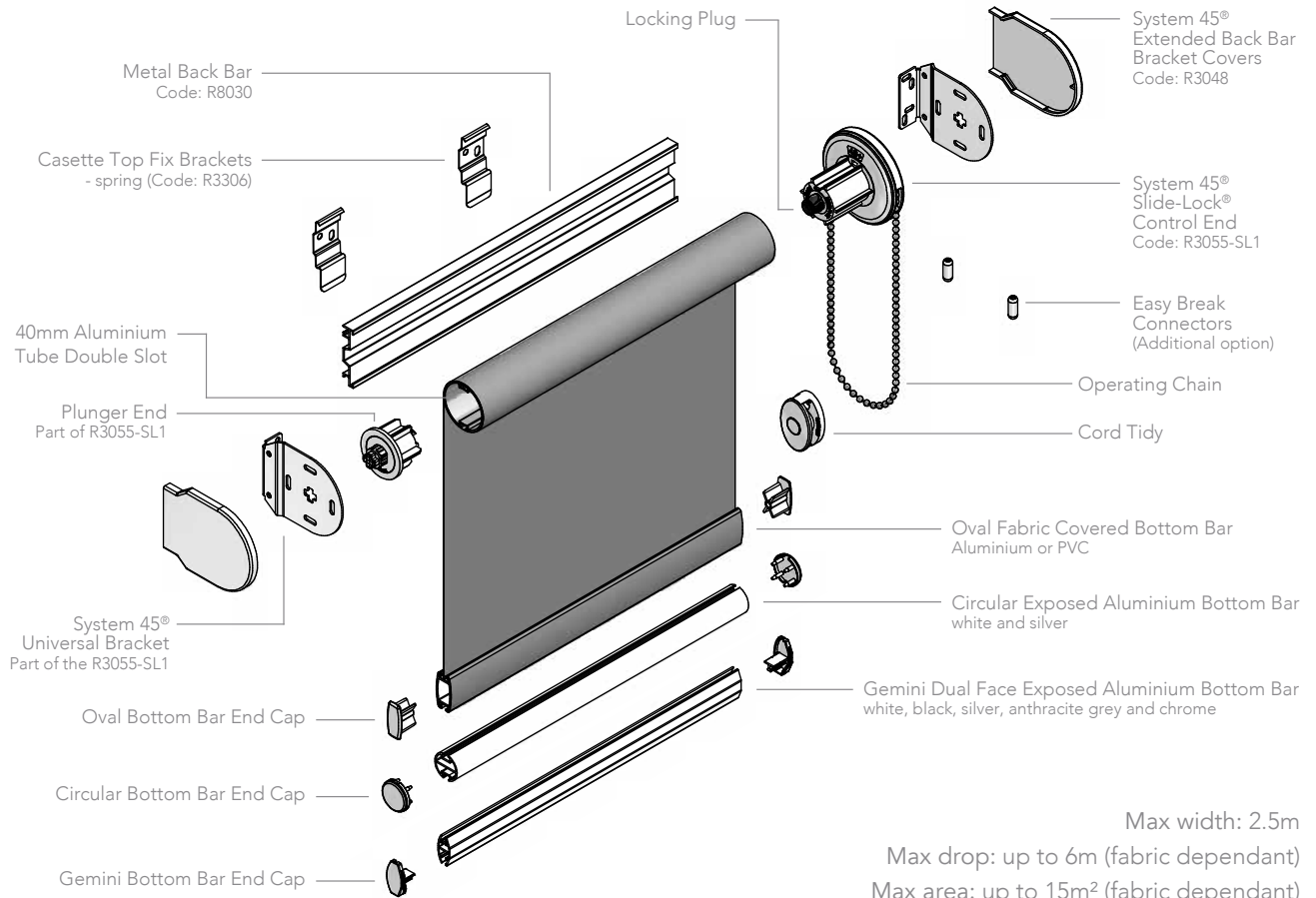


SYSTEM 40® & 40®+ ROLLER SYSTEM WITH THE BACK BAR



- Designed and manufactured in the UK, all Louvolite systems are 10 year life cycle tested to ensure long lasting performance.
- Slide-Lock® combines heavier holding weights with anti-fray features that ensure enhanced blind performance.
- Back Bar allows for ease of fixing brackets when they can't fix in the recess corners.
- For blinds up to 2.5m wide, 40° with a 9lb maximum holding weight and 40®+ with a 18lb maximum holding weight.
- Improved chain location for quick and easy on-site adjustment.
- Manufactured using high quality engineering grade polymer.
- Universal brackets and a spring idle end plunger enable easy and quick installation.
- Locking plug inside clutch ensures continued performance of larger blinds.
- System 40®+ can be motorised (Code: R1790-40) using Louvolite One Touch™ Lithium rechargeable motor (R1710) or hard wired AC motor (R1725).
- Colours available: 40°: white, beige, black, light grey and anthracite grey; 40®+ and back bar: white.

HARDWARE SPECIFICATION

Roller System 40° & 40°+

Our roller blinds are manufactured using the Louvolite System 40° or 40°+ roller blind mechanism with specifically designed grooved aluminium tubing. The specified fabrics are formed and held into the tube with locking tape. The side control units, manufactured in the UK, are made from glass filled Nylon 6, with an acetal sprocket and sprocket guard, and includes a locking spring.

The operating chain, No. 10 size in metal or plastic, ensures reliable performance, and improved chain location enables quick and easy on-site adjustment. The brackets are made from mild steel, zinc plated and powder coated, suitable for top, face or side fixing.

A sprung plunger end mechanism is positioned

at the opposite end to the control unit, providing a more secure fit of the blind and smooth operation. The side control unit is fitted with a centre plug that ensures the mechanism operates smoothly even under extreme loads.

Performance

To ensure a positive performance, all Louvolite roller system units are designed and manufactured in the UK using prime quality plastic materials and a dedicated steel locking spring. The sidewinders will lock into the bracket with the unique bracket securing pin for safety after installation.

10 year life cycle testing is done to ensure long lasting performance. The units will accept both metal or plastic operating chain providing reliable smooth operation.

Operation

Using manual or motorised operation all blinds must be compliant with the child safety elements of BS EN13120. Where children may be present, the chain must be fitted with easybreak connectors or cord tidy devices.

Bottom Bar

Oval, made of aluminium or pvc, can be single or double wrapped in fabric or left exposed, while circular and the dual face Gemini, made of aluminium, only have the fabric formed and locked into the top part to leave the bar exposed. All fabric is formed and held into place with locking tape. The dual face Gemini bar, smooth on one side and angular on the other, improves the ease of manufacture and use of thicker laminate fabrics.

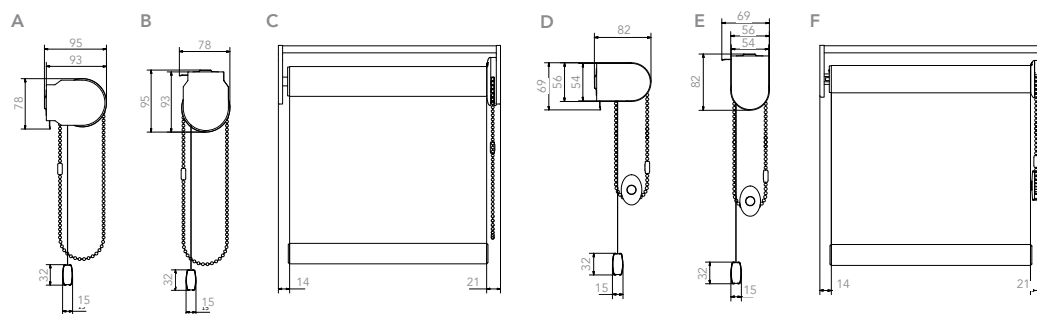
Maintenance

All of the roller blind system components are manufactured using aluminium, treated steel and plastic. They do not present any corrosion problems in normal environments. The system has been designed for a smooth operation, together with a rigidity to prolong the window blind's working life. Manufacturing size restrictions are included in this specification brochure.

Back Bar Mounting Plate/ Brackets

The brackets are made from mild steel, zinc plated and powder coated, suitable for top fixing and designed for quick and simple installation whilst minimising the light gap between the blind and the recess.

BACK BAR BRACKET DIMENSIONS



- A. 40°+ standard metal bracket face fix with back bar & cover
- B. 40°+ standard metal bracket top fix with back bar & cover
- C. 40°+ standard metal bracket top fix with back bar front view & cover
- D. 40° standard metal bracket face fix with back bar & cover
- B. 40° standard metal bracket top fix with back bar & cover
- C. 40° standard metal bracket top fix with back bar front view & cover

LOUVOLITE SIDE CONTROL SYSTEMS MAXIMUM BLIND SIZE

SYSTEM	FABRIC GROUP	BLIND WIDTH (m) FOR BLIND DROP (m)					MAX HOLDING WEIGHT
		0.5	1.0	1.5	2.0	2.5	
System 40°	up to 200g/m sq	5.0	5.0	5.0	5.0	5.0	9lb blind at 6mm deflection
	200 > 320g/m sq	3.75	3.75	3.75	3.75	3.75	
System 40°+	320 > 485g/m sq	5.0	5.0	5.0	3.55	2.7	18lb blind at 6mm deflection

Also available for System 32° and 45°

Your Louvolite Back Bar Distributor:



UK MANUFACTURED

www.louvolitecommercial.com

CI/SIB 1976 reference by SIB Agency		
(76.7)	X	