

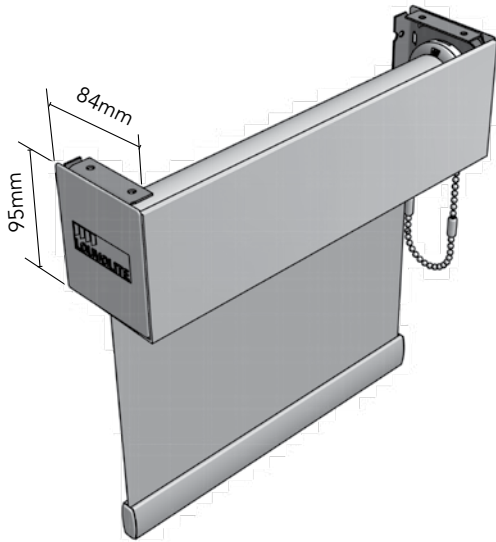
ROLLER FASCIA SYSTEMS

3" (95mm) & 4" (110mm) SQUARE

3" (95mm) SQUARE FASCIA

3" Fascia can be used with the System 40®, System 40®+ and System 45®.

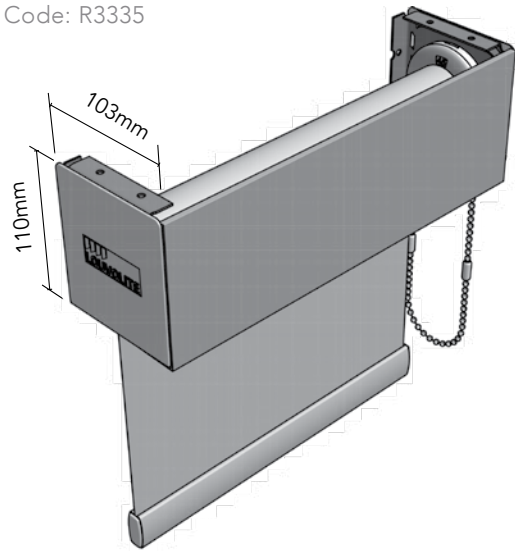
Code: R3337



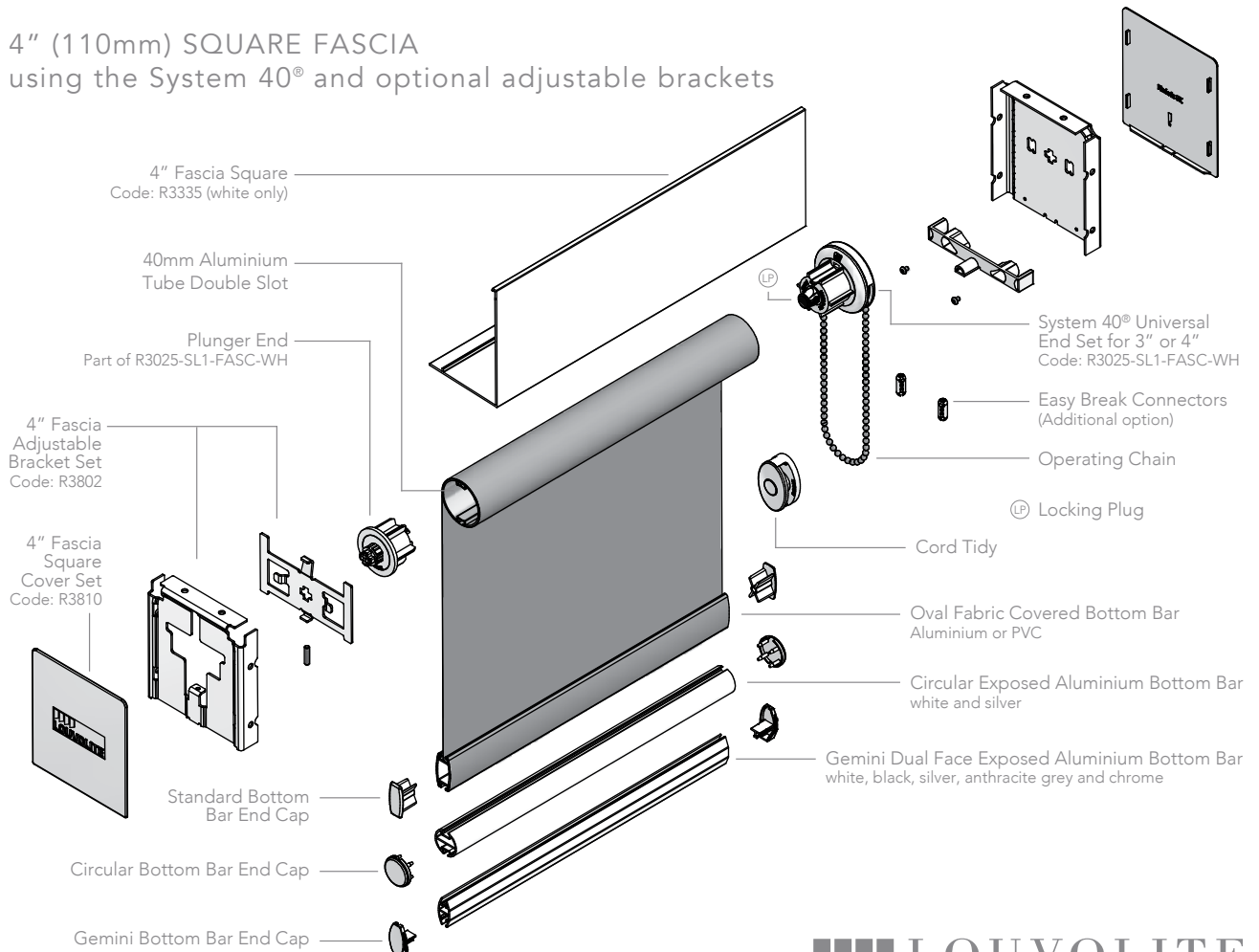
4" (110mm) SQUARE FASCIA

4" Fascia can be used with the System 40®, System 40®+, System 45®, System 45®+ and System 55®.

Code: R3335



4" (110mm) SQUARE FASCIA using the System 40® and optional adjustable brackets



HARDWARE SPECIFICATION

3" & 4" Fascia System

Roller blinds with fascias are manufactured as per the standard Louvolite System 40® - 55® and include the specially designed aluminium fascia, in white. The mild steel brackets are zinc plated and powder coated, suitable for top fixing.

Colour spec: White RAL 9010

Roller System

All Louvolite roller system units are manufactured with specifically designed grooved aluminium tubing. The specified fabrics are formed and held into the tube with locking tape. The side control units are made from glass filled Nylon 6, with an acetal sprocket and sprocket guard, and includes a locking spring.

The operating chain, No. 10 size in metal or plastic, ensures reliable performance, and improved chain location enables quick and easy on-site adjustment.

A sprung plunger end mechanism is positioned at the opposite end to the control unit, providing a more secure fit of the blind and smooth operation. The side control unit is fitted with a centre plug that ensures the mechanism operates smoothly even under extreme loads.

Performance

To ensure a positive performance, all Louvolite roller system units are designed and manufactured in the UK using prime quality plastic materials and a dedicated steel locking

spring. The sidewinders will lock into the bracket with the unique bracket securing pin for safety after installation.

10 year life cycle testing is done to ensure long lasting performance.

Operation

Using manual or motorised operation, all blinds must be compliant with the child safety elements of BS EN13120. Where children may be present, the chain must be fitted with easybreak connectors or a cord tidy.

Bottom Bar

Oval, made of aluminium or pvc, can be single or double wrapped in fabric or left exposed, while circular and the dual face Gemini, made of aluminium, only have the

fabric formed and locked into the top part to leave the bar exposed. All fabric is formed and held into place with locking tape. The dual face Gemini bar, smooth on one side and angular on the other, improves the ease of manufacture and use of thicker laminate fabrics.

Maintenance

The system components are manufactured using aluminium, treated steel and plastic. They do not present any corrosion problems in normal environments. The system has been designed for a smooth operation, together with a rigidity to prolong the window blind's working life. Manufacturing size restrictions are included in this specification brochure.

LOUVOLITE SIDE CONTROL SYSTEMS MAXIMUM BLIND SIZE

SYSTEM	FABRIC GROUP	BLIND WIDTH (m) FOR BLIND DROP (m)								MAX HOLDING WEIGHT
		0.5	1.0	1.5	2.0	2.5	3.0	3.5	4.0	
●● System 40®	up to 200g/m sq	5.0	5.0	5.0	5.0	5.0				9lb blind at 6mm
	200 > 320g/m sq	3.75	3.75	3.75	3.75	3.75				
	320 > 485g/m sq	5.0	5.0	5.0	3.55	2.7				
●● System 40+®	up to 200g/m sq	5.0	5.0	5.0	5.0	5.0				18lb blind at 6mm
	200 > 320g/m sq	3.75	3.75	3.75	3.75	3.75				
	320 > 485g/m sq	5.0	5.0	5.0	3.55	2.7				
●● System 45®	up to 200g/m sq	6.0	6.0	6.0	6.0	6.0	4.5			12lb blind at 9mm
	200 > 320g/m sq	4.75	4.75	4.75	4.75	4.75	2.80			
	320 > 485g/m sq	6.0	6.0	6.0	5.0	4.0	1.85			
● System 45+®	up to 200g/m sq	6.0	5.0	6.0	6.0	6.0	6.0	6.0		24lb blind at 9mm
	200 > 320g/m sq	4.75	3.75	4.75	4.75	4.75	4.75	4.0		
	320 > 485g/m sq	6.0	5.0	6.0	5.0	4.0	3.25	2.7		
● System 55®	up to 200g/m sq								4.5	24lb blind at 9mm
	200 > 320g/m sq								2.80	
	320 > 485g/m sq								1.85	

System 55® Easi Lift™ is recommended for use on all blinds over 10lbs (4.5kgs) to give optimum performance.

● Can be used with the 3" Fascia

● Can be used with the 4" Fascia

Your Louvolite 3" or 4" Fascia System - Square Distributor:



UK MANUFACTURED

www.louvolitecommercial.com

CI/SIB 1976 reference by SIB Agency		
(76.7)	X	

S250102-F 07.19