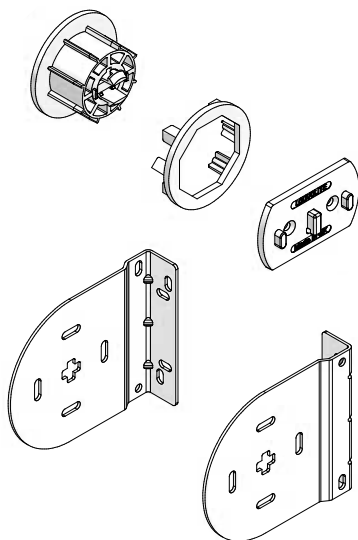
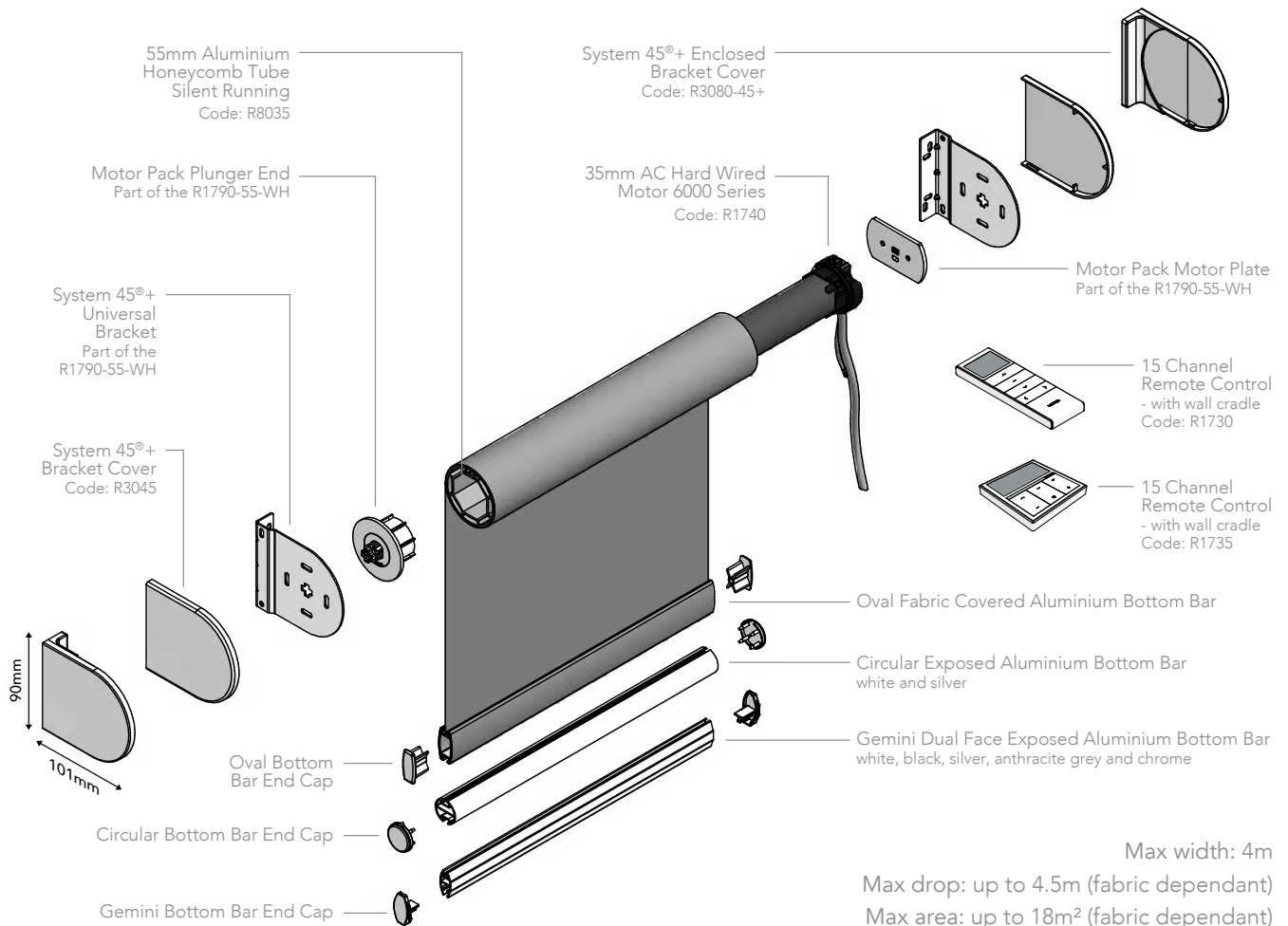


# SYSTEM 55<sup>®</sup> MOTORISED ROLLER SYSTEM WITH THE HARD WIRED AC MOTOR - 6000 SERIES



- Operate larger blinds effortlessly with System 55<sup>®</sup> using Louvolite One Touch™ Hard Wired AC Motor 6000 Series.
- For blinds up to 4m wide, with a 12kg maximum holding weight.
- A silent running honeycomb tube for quiet operation.
- Manufactured using high quality engineering grade polymer.
- Universal brackets enable easy and quick installation. A patented idle end adapter plate with locking body ensures that the blind remains safely locked into the brackets at all times.
- 4" Fascia options available for stylish interior integration.
- Operate up to 15 blinds, separately or simultaneously, from anywhere in the room with the 15 channel remote (R1730 and R1735).
- Can be operated with the Louvolite Smart Home Hub (R1764-UK). Using wifi any One Touch blinds can be operated remotely via the app on a smart phone/tablet or by voice command with Amazon Echo, Google Home and Siri.
- Child safe by design.
- Available in white and black.

# HARDWARE SPECIFICATION

## System 55® Roller System

Our roller blinds are manufactured using the Louvolite System 55® roller blind mechanism with specifically designed grooved 55mm honeycomb aluminium tubing. The specified fabrics are formed and held into the tube with locking tape.

The side control units, manufactured in the UK, are made from prime grade PA6 (Nylon, Akulon K222D), with an acetal sprocket and sprocket guard, and includes a locking spring.

The brackets are made from mild steel, zinc plated and powder coated, suitable for top, face or side fixing.

A sprung plunger end

mechanism is positioned at the opposite end to the control unit, providing a more secure fit of the blind and smooth operation.

### Performance

To ensure a positive performance, all Louvolite components are designed and manufactured in the UK using prime quality plastic materials and a dedicated steel locking spring. The sidewinders will lock into the bracket with the unique bracket securing pin for safety after installation.

10 year life cycle testing is done to ensure long lasting performance.

### Operation

Using motorised operation all blinds must be compliant with

the child safety elements of BS EN13120.

### Bottom Bar

Oval, made of aluminium or pvc, can be single or double wrapped in fabric or left exposed, while circular and the dual face Gemini, made of aluminium, only have the fabric formed and locked into the top part to leave the bar exposed. All fabric is formed and held into place with locking tape. The dual face Gemini bar, smooth on one side and angular on the other, improves the ease of manufacture and use of thicker laminate fabrics.

### Maintenance

All of the System 55® roller blind system components

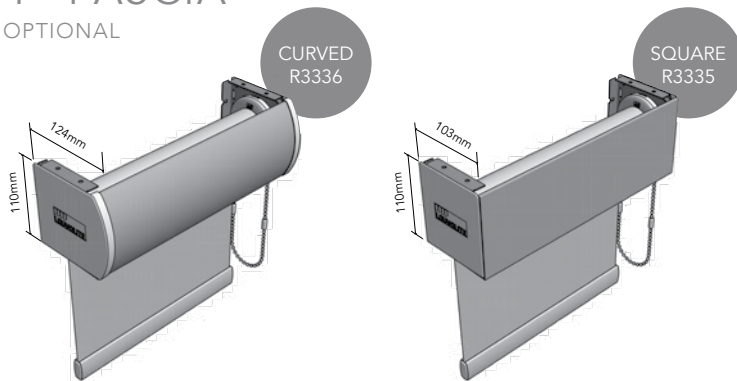
are manufactured using aluminium, treated steel and plastic. They do not present any corrosion problems in normal environments. The system has been designed for a smooth operation, together with a rigidity to prolong the window blind's working life. Manufacturing size restrictions are included in this specification brochure.

### Additional Option - Fascia

The 4" fascia is manufactured from aluminium and the brackets are made from mild steel, zinc plated and powder coated, suitable for top, face or side fixing.

## 4" FASCIA

OPTIONAL



## 6000 SERIES

PARAMETERS	
Rated Torque	6Nm
Rated RPM	28rpm
Motor Diameter	35mm
Rated Voltage	DC230V
Rated Power	144W
Rated Current	0.63A
IP Class	IP44
Inbuilt Receiver	Yes
Cable (2m length)	3 Core

## SYSTEMS MAXIMUM BLIND SIZE

SYSTEM	FABRIC GROUP	BLIND WIDTH (m) FOR BLIND DROP (m)	MAX HOLDING WEIGHT
		4.0	
System 55®	up to 200g/m sq	4.5	24lb blind at 9mm
	200 > 320g/m sq	2.80	
	320 > 485g/m sq	1.85	

FEATURES	
Minimum Blind Width	650mm
Weight Capacity	12kgs (26.5lbs) - approx. 4m x 6m using Louvolite Carnival fabric
Cable Length	2m

For the most up-to-date information view the online pdf at [www.louvolitecommercial.com/systems/](http://www.louvolitecommercial.com/systems/)

Your Louvolite AC Hard Wired Motorised Roller System Distributor:



CI/SIB 1976 reference by SIB Agency		
(76.7)	X	