

# ROLLER SLIM FASCIA SYSTEM

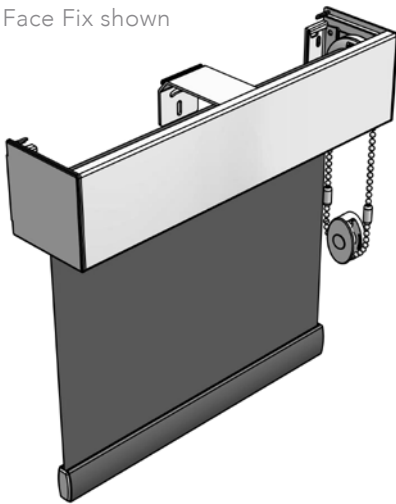
## 75mm & 100mm

### 75mm SLIM FASCIA

75mm Slim Fascia can be used with System 32® and System 40®

Code: R3375-75mm

Face Fix shown

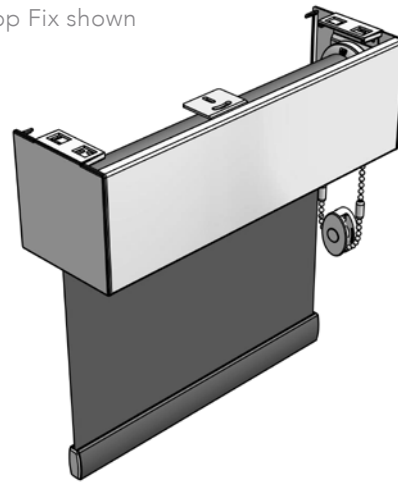


### 100mm SLIM FASCIA

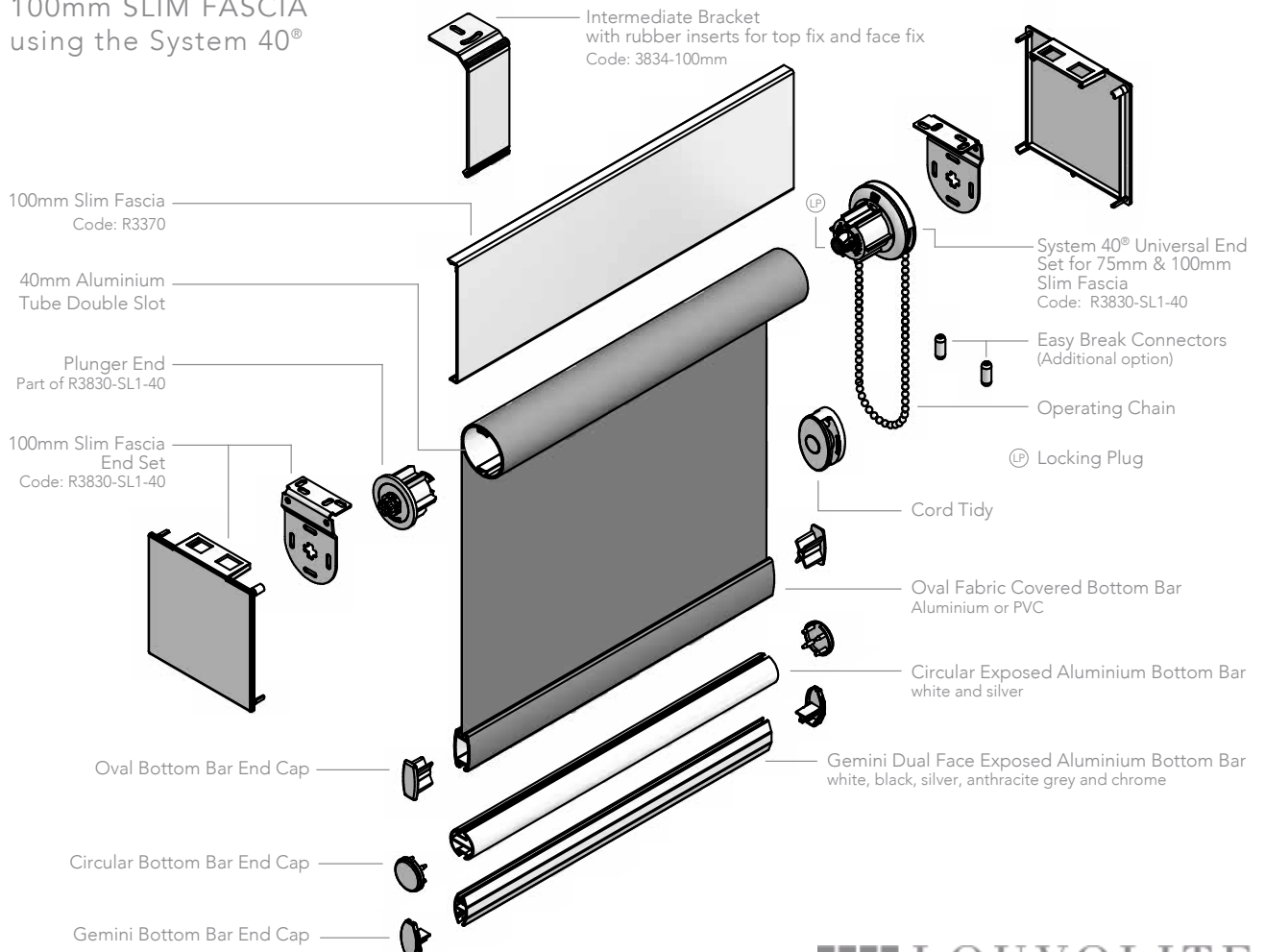
100mm Slim Fascia can be used with System 40®, System 40®+ and System 45®

Code: R3370-100mm

Top Fix shown



### 100mm SLIM FASCIA using the System 40®



# HARDWARE SPECIFICATION

## 75mm & 100mm Slim Fascia

Roller blinds with a slim fascia are manufactured as per the standard Louvolite System 32® - 45® and include the specially designed aluminium fascia. The mild steel universal brackets are zinc plated and powder coated, suitable for top fixing or face fixing. These locate into the specially designed end caps, which are made using high grade ABS material.

Colour spec: White RAL 9010, Black RAL 9011, Anthracite Grey RAL 7016 and Silver.

The side control units are made from glass filled Nylon 6, with an acetal sprocket and sprocket guard, and includes a locking spring.

The operating chain, No. 10 size in metal or plastic, ensures reliable performance,

and improved chain location enables quick and easy on-site adjustment.

A sprung plunger end mechanism is positioned at the opposite end to the control unit, providing a more secure fit of the blind and smooth operation. The side control unit is fitted with a centre plug that ensures the mechanism operates smoothly even under extreme loads.

For blinds over 1500mm the intermediate bracket is required to support the fascia. These are made of mild steel and are silver.

### Performance

To ensure a positive performance, all Louvolite roller system units are designed and manufactured in the UK using prime plastic materials and a dedicated steel locking spring.

The sidewinders will lock into the bracket with the unique bracket securing pin for safety after installation.

10 year life cycle testing is done to ensure long lasting performance.

### Operation

Using manual or motorised operation, all blinds must be compliant with the child safety elements of BS EN13120. Where children may be present, the chain must be fitted with easy-break connectors or a cord tidy.

### Bottom Bar

Standard, made of aluminium or pvc, can be single or double wrapped in fabric or left exposed, while circular and the dual face Gemini, made of aluminium, only have the fabric formed and locked into the top part to leave

the bar exposed. All fabric is formed and held into place with locking tape. The dual face Gemini bar, smooth on one side and angular on the other, improves the ease of manufacture and use of thicker laminate fabrics.

### Maintenance

The system components are manufactured using aluminium, treated steel and plastic. They do not present any corrosion problems in normal environments. The system has been designed for a smooth operation, together with a rigidity to prolong the window blind's working life. Manufacturing size restrictions are included in this specification brochure.

## LOUVOLITE SIDE CONTROL SYSTEMS MAXIMUM BLIND SIZE

SYSTEM	FABRIC GROUP	BLIND WIDTH (m) FOR BLIND DROP (m)						40HD	MAX HOLDING WEIGHT
		0.5	1.0	1.5	2.0	2.5	3.0		
System 32® Blue Pin ●	up to 200g/m sq	4.0	4.0	4.0	4.0				6lb blind at 4mm deflection
	200 > 320g/m sq	3.0	3.0	3.0	3.0				
	320 > 485g/m sq	1.9	1.9	1.9	1.9				
System 32® Red Pin ●	up to 200g/m sq	4.0	4.0	4.0	4.0				8lb blind at 5mm deflection
	200 > 320g/m sq	3.0	3.0	3.0	3.0				
	320 > 485g/m sq	3.0	3.0	2.5	2.5				
System 35® (Motorised) ●	up to 200g/m sq	3.0	3.0	3.0	2.0				4lb blind at 4mm deflection
	200 > 320g/m sq	1.7	2.0	2.0	1.5				
	320 > 485g/m sq	1.9	2.0	2.0	1.5				
System 40® ●	up to 200g/m sq	5.0	5.0	5.0	5.0	5.0		5.0	9lb blind at 6mm deflection
	200 > 320g/m sq	3.75	3.75	3.75	3.75	3.75		3.75	
	320 > 485g/m sq	5.0	5.0	5.0	3.55	2.7		2.1	
System 40+® ●	up to 200g/m sq	5.0	5.0	5.0	5.0	5.0		5.0	18lb blind at 6mm deflection
	200 > 320g/m sq	3.75	3.75	3.75	3.75	3.75		3.75	
	320 > 485g/m sq	5.0	5.0	5.0	3.55	2.7		2.1	
System 45® ●	up to 200g/m sq	6.0	6.0	6.0	6.0	6.0	4.5		12lb blind at 9mm deflection
	200 > 320g/m sq	4.75	4.75	4.75	4.75	4.75	2.80		
	320 > 485g/m sq	6.0	6.0	6.0	5.0	4.0	1.85		

● Can be used with the 75mm Slim Fascia   ● Can be used with the 100mm Slim Fascia

For the most up-to-date information view the online pdf at [www.louvolitecommercial.com/systems/](http://www.louvolitecommercial.com/systems/)

Your Louvolite 75mm or 100mm Slim Fascia System Distributor:



CI/SIB 1976 reference by SIB Agency		
(76.7)	X	