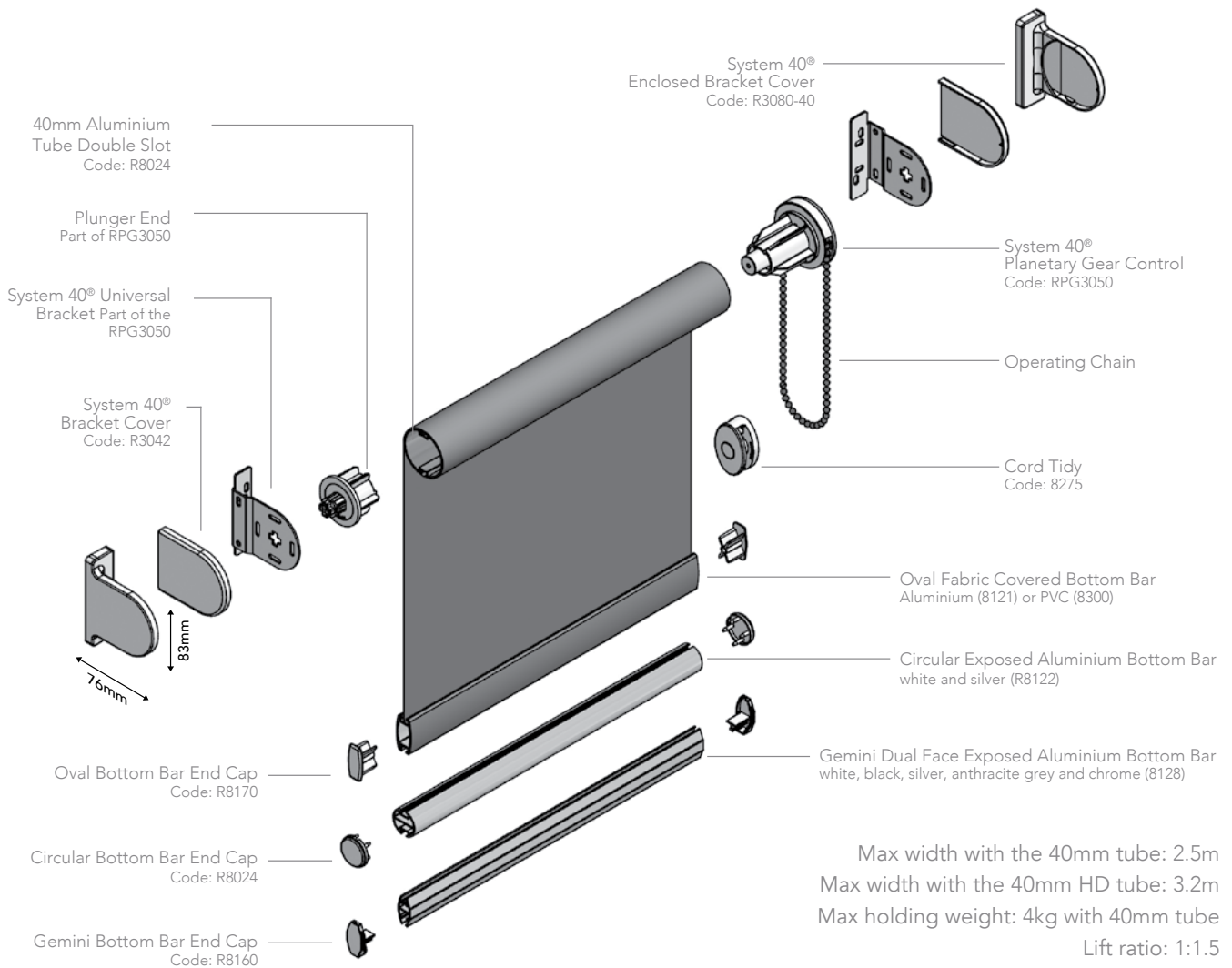
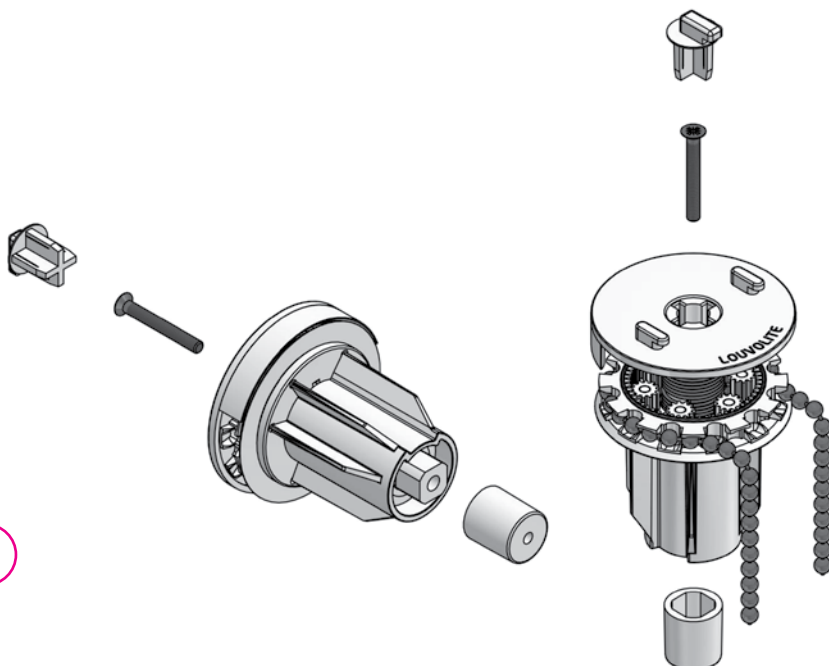


SYSTEM 40® ROLLER SYSTEM WITH PLANETARY GEARING CONTROL



Max width with the 40mm tube: 2.5m
 Max width with the 40mm HD tube: 3.2m
 Max holding weight: 4kg with 40mm tube
 Lift ratio: 1:1.5



- Designed in the UK, all Louvolite systems are 10 year life cycle tested to ensure long lasting performance.
- Advanced chain location for quick and easy on-site adjustment.
- Manufactured using high quality engineering grade polymer.
- Universal brackets and a spring idle end plunger enable easy and quick installation.
- Available in white.
- Ratio 1:1.5 meaning easier lifting.

HARDWARE SPECIFICATION

System 40® Roller System

Our roller blinds are manufactured using the Louvolite System 40® roller blind mechanism with specifically designed grooved 40mm aluminium tubing. The specified fabrics are formed and held into the tube with locking tape. The planetary gear control units are made from glass filled Nylon 6.

The operating chain, No. 10 size in metal or plastic, ensures reliable performance, and improved chain location enables quick and easy on-site adjustment. The mild steel brackets are zinc plated and powder coated, suitable for top, face or side fixing.

A spring plunger idle end mechanism is positioned

at the opposite end to the planetary gear control unit, providing a more secure fit of the blind and smooth operation.

Performance

To ensure a positive performance, all Louvolite Roller System units are designed in the UK using prime quality plastic materials.

10 year life cycle testing is done to ensure long lasting performance.

Operation

Using manual operation, all blinds must be compliant with the child safety elements of BS EN13120. Where children may be present, the chain must be fitted with easybreak connectors or a cord tidy.

Bottom Bar

Made of aluminium or pvc, can be single or double wrapped in fabric or left exposed, while circular and the dual face Gemini, made of aluminium, only has the fabric formed and locked into the top part to leave the bar exposed. All fabric is formed and held into place with locking tape. The dual face Gemini bar, smooth on one side and angular on the other, improves the ease of manufacture and use of thicker laminate fabrics.

Maintenance

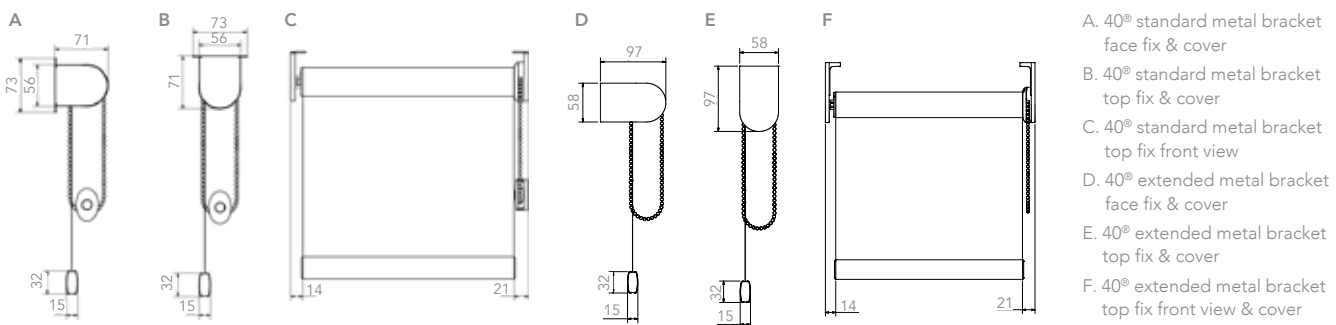
All of the System 40® roller blind system components are manufactured using aluminium, treated steel and plastic. They do not present

any corrosion problems in normal environments. The system has been designed for a smooth operation, together with a rigidity to prolong the window blind's working life. Manufacturing size restrictions are included in this specification brochure.

Additional Option: Cassette

Cassettes are specially designed and powder coated with dedicated top, direct or face fix brackets. On specification the user has the choice between a single coloured extrusion in dedicated colours or a fascia which incorporates the same fabric or contrasting fabric used on the roller blind.

SYSTEM 40® BRACKET DIMENSIONS



LOUVOLITE SIDE CONTROL SYSTEMS MAXIMUM BLIND SIZE

SYSTEM	FABRIC GROUP	BLIND WIDTH (m) FOR BLIND DROP (m)						40HD	MAX HOLDING WEIGHT
		0.5	1.0	1.5	2.0	2.5	3.0		
System 40®	up to 200g/m sq	5.0	5.0	5.0	5.0	5.0	5.0	9lb blind at 6mm deflection	
	200 > 320g/m sq	3.75	3.75	3.75	3.75	3.75	3.75		
	320 > 485g/m sq	5.0	5.0	5.0	3.55	2.7	2.1		

For the most up-to-date information view the online pdf at www.louvolitecommercial.com/systems/

Your Louvolite Planetary Gear Distributor:



CI/SIB 1976 reference by SIB Agency			
(76.7)	X		